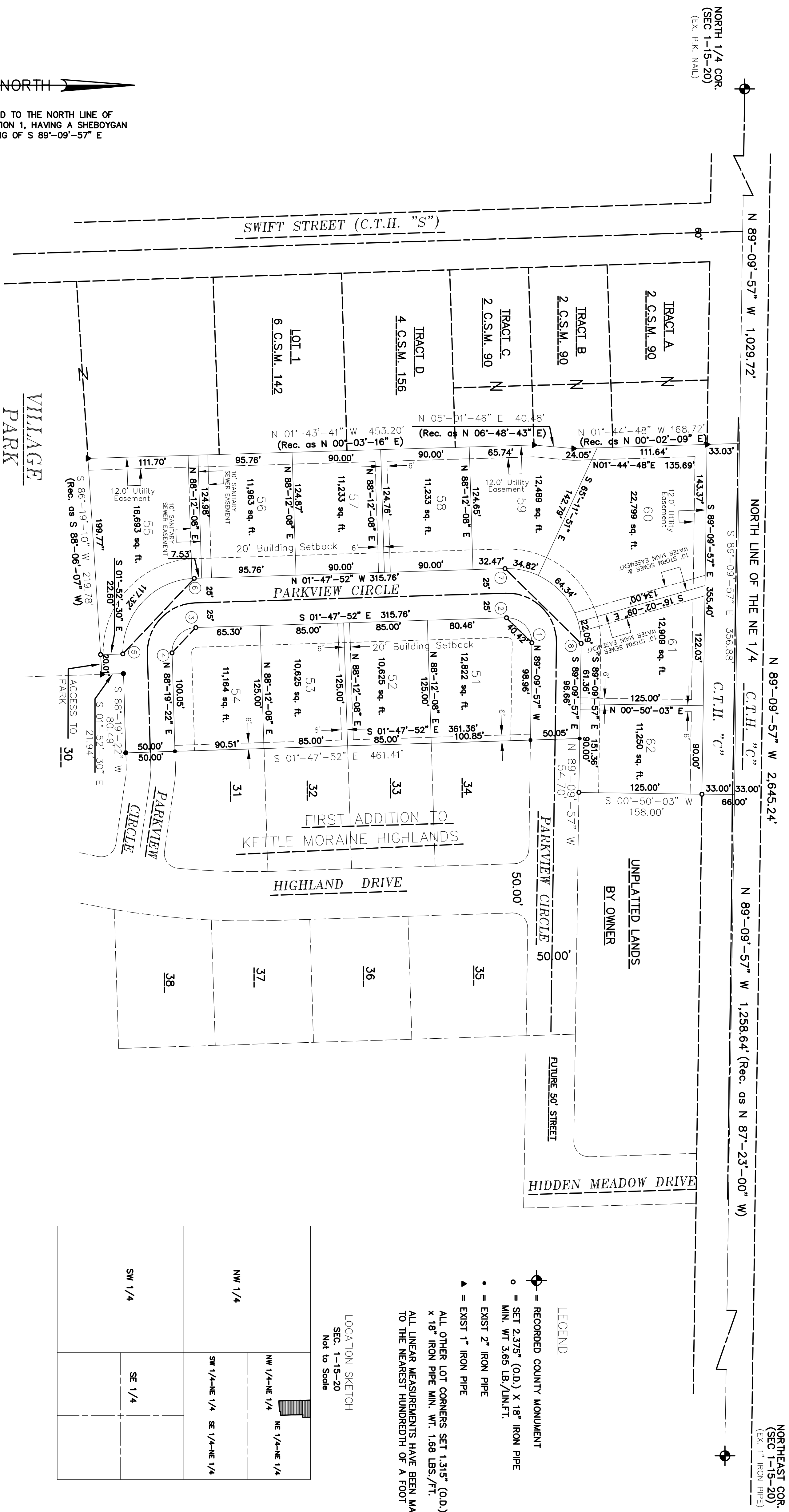


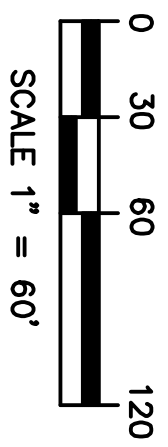
PLAT OF

SECOND ADDITION TO KETTLE MORRAINE HIGHLANDS

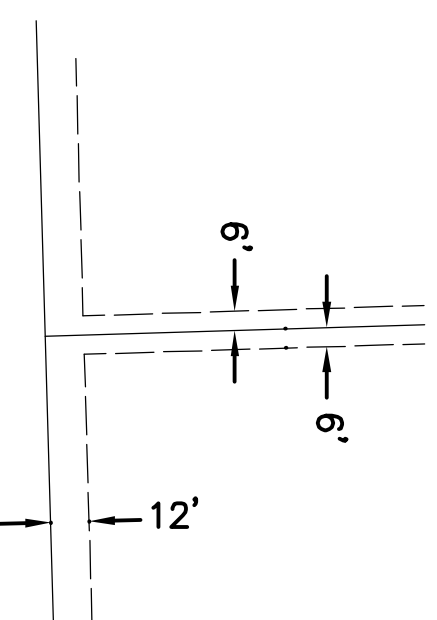
PART OF THE NE 1/4 OF THE NE 1/4 AND THE NW 1/4 OF THE NE 1/4 SECTION 1, T.15N., R.20E., VILLAGE OF GLENBULAH, SHEBOYGAN COUNTY, WISCONSIN



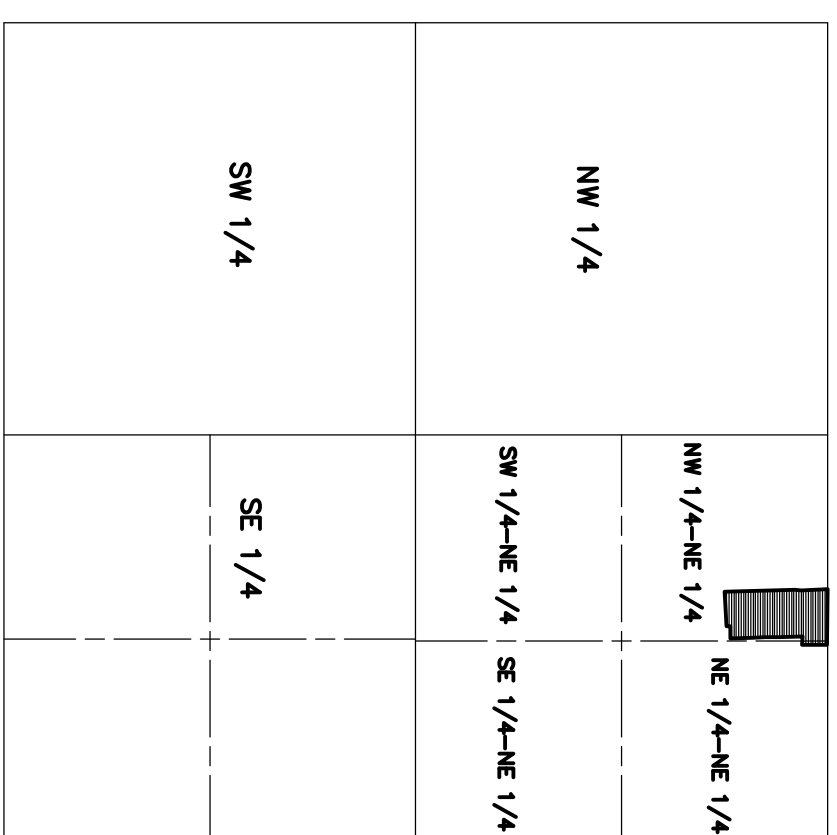
NORTH IS REFERENCED TO THE NORTH LINE OF THE NE 1/4 OF SECTION 1, HAVING A SHEBOYGAN COUNTY G.I.S. BEARING OF S 89°-09'-57" E



TYPICAL UTILITY EASEMENTS



CURVE	RADIUS	ARC LENGTH	CENTRAL ANGLE	CHORD	CHORD BEARING	TANGENT BEARING IN	TANGENT BEARING OUT
1-2	25.00'	40.42'	92°-37'-55"	36.16'	N 44°-31'-05.5" E	N 89°-09'-57" W	S 01°-47'-52" E
3-4	25.00'	39.22'	89°-52'-46"	35.32'	S 46°-44'-15" E	S 01°-47'-52" E	N 88°-19'-22" E
5-6	75.00'	117.32'	89°-37'-34"	105.72'	S 46°-36'-39" E	N 88°-35'-34" E	N 01°-47'-52" W
7-8	75.00'	121.25'	92°-37'-55"	108.47'	N 44°-31'-05.5" E	N 01°-47'-52" W	S 89°-09'-57" E
LOT 59	75.00'	34.82'	26°-36'-01"	34.51'	N 11°-30'-08.5" E		
LOT 60	75.00'	64.34'	49°-09'-11"	62.39'	N 49°-22'-44.5" E		
LOT 61	75.00'	22.09'	16°-52'-43"	22.01'	N 82°-23'-41.5" E		



- LEGEND**
- = RECORDED COUNTY MONUMENT
 - = SET 2.375" (O.D.) X 18" IRON PIPE MIN. WT. 3.65 LB./LIN.FT.
 - = EXIST 2" IRON PIPE
 - ▲ = EXIST 1" IRON PIPE
- ALL OTHER LOT CORNERS SET 1.315" (O.D.) X 18" IRON PIPE MIN. WT. 1.68 LBS./FT.
ALL LINEAR MEASUREMENTS HAVE BEEN MADE TO THE NEAREST HUNDRETH OF A FOOT